



**S
P
O
R
T
S**

User Guide

3 Hole Bean Bag Toss

with carry bag



AFTER SALES SUPPORT



973-585-4747



consumerservice@eastpointssports.com

MODEL: I6299 PRODUCT CODE: 41567 08/2014

Congratulations!

You have made an excellent choice with the purchase of this quality Crane® product.

By doing so you now have the assurance and peace of mind which comes from purchasing a product that has been manufactured to the highest standards of performance and safety, supported by the high quality standards of ALDI.

This product is covered by a limited warranty that is effective for 2 years from the date of purchase. If, during the limited warranty period, a part is found to be defective or breaks, we will offer replacement part at no cost to you, the customer.

The above warranty will not apply in cases of damages due to improper usage, alteration, misuse, abuse, accidental damage or neglect.

This limited warranty gives you specific legal rights and you may also have other rights which vary from one State (province) to another.

Please save these instructions. A purchase receipt (or other proof of purchase date) will be required before any warranty service is initiated. All requests for warranty service, please feel free to contact our Consumer Service Department at 973-585-4747.

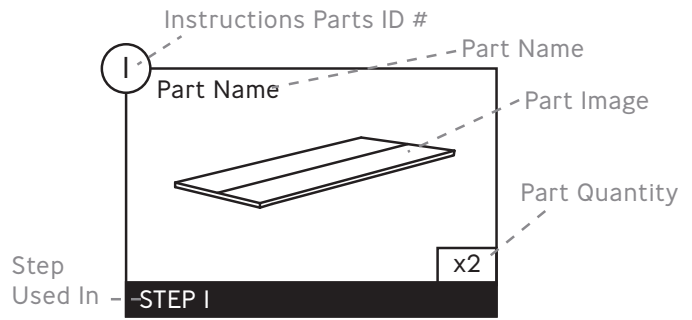
Please be aware of your product's limited warranty for the return/refund policy from the store, we can not handle the product which is out of product's limited warranty since we only provide available parts.



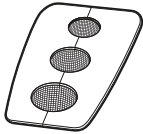
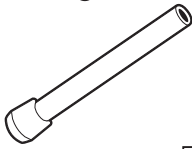
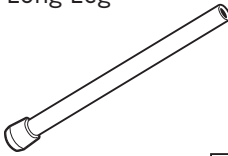

How to use the Parts Identifier

Before you begin assembly, please make sure that you have all the parts listed and in the correct quantities. This will ensure the quickest and most organized assembly.

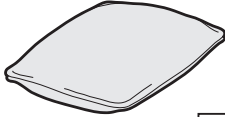
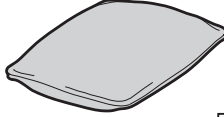
Be sure to work on the assembly on a soft non-marring surface such as carpet or the inside of the corrugate box top to prevent causing damage to the product during assembly.



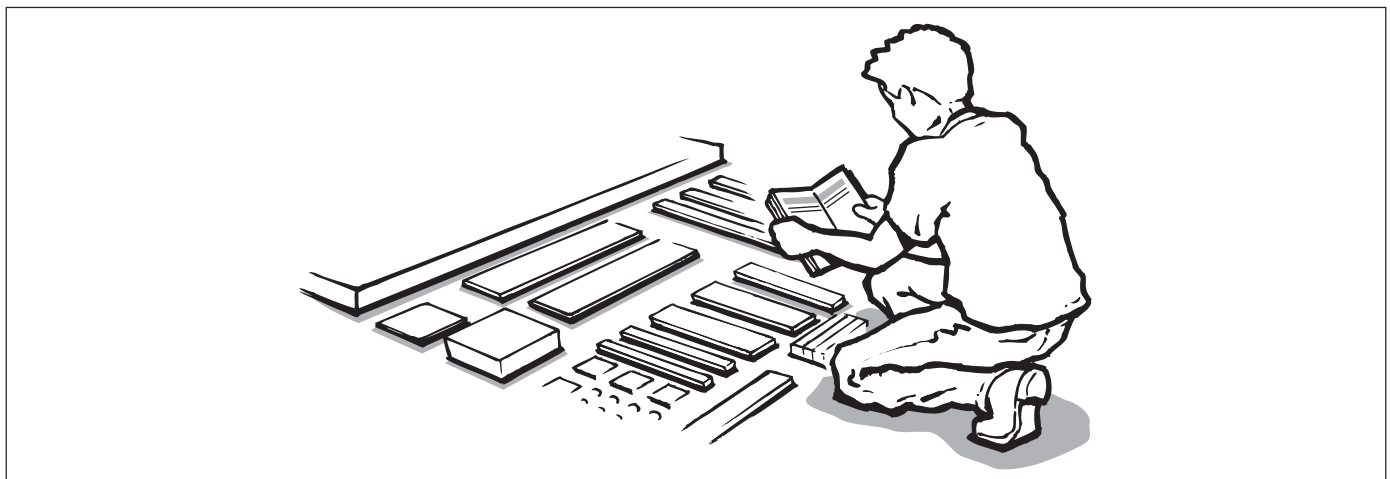
Parts Identifier

<p>1 Board</p>  <p>x2</p> <p>STEP 1</p>	<p>2 Short Leg</p>  <p>x4</p> <p>STEP 1</p>	<p>3 Long Leg</p>  <p>x4</p> <p>STEP 1</p>	<p>4 Score Slider</p>  <p>x2</p> <p>STEP 2</p>
--	--	--	---

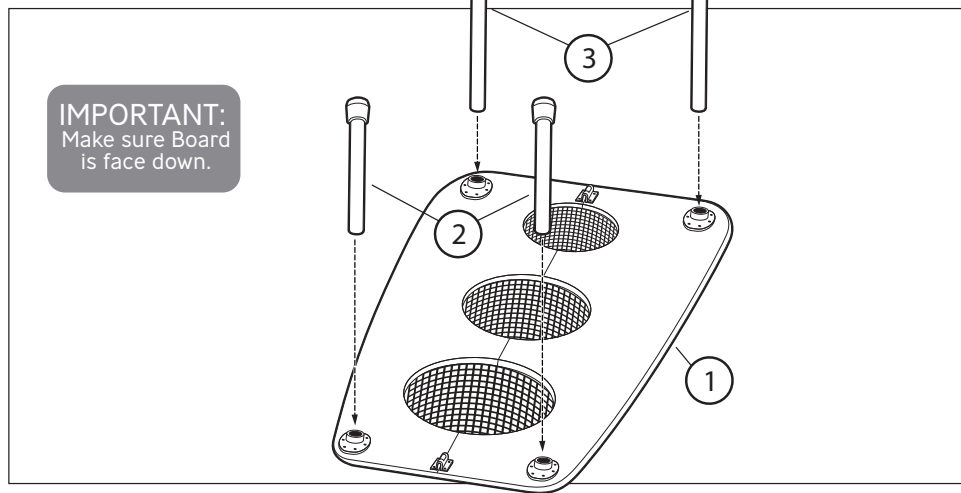
Accessories

<p>80 Bean Bag - Red</p>  <p>x3</p>	<p>81 Bean Bag - Blue</p>  <p>x3</p>
--	---

Start. All parts are listed in the Parts Identifier and Accessories. Check to make sure you have all parts before you begin.

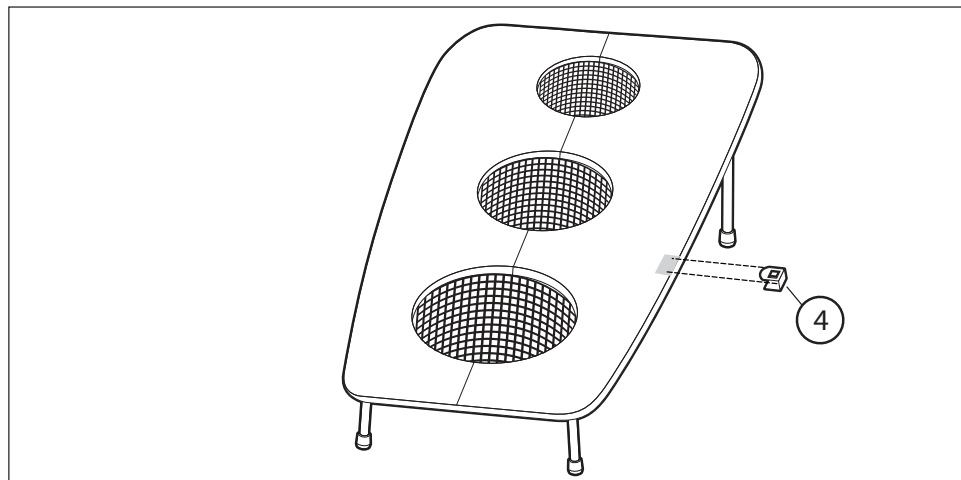


Step 1.



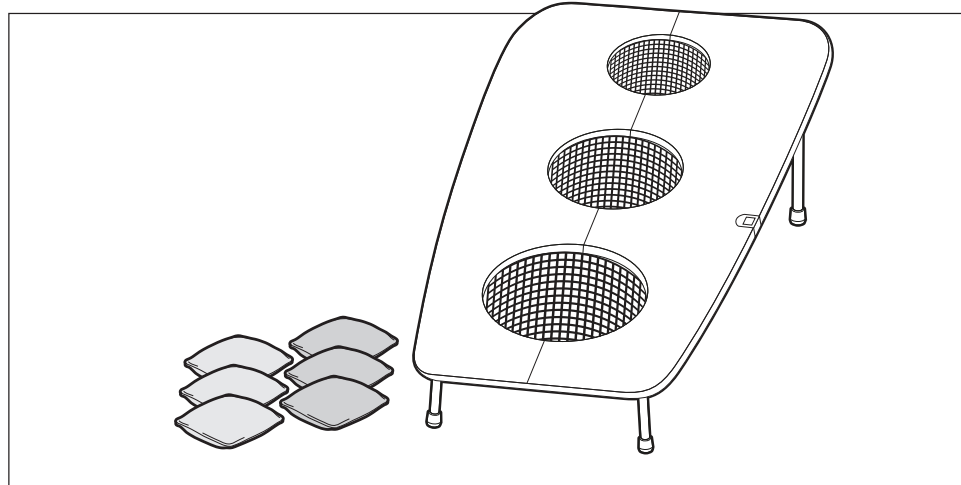
COMPONENTS	QTY.
① Board	x1
② Short Leg	x2
③ Long Leg	x2

Step 2. Flip Board over. Slip on the Score Slider to the Board.



COMPONENTS	QTY.
④ Score Slider	x1

Step 3. Repeat for second Board.



COMPONENTS	QTY.
------------	------

Game Instructions

History of Game

Bean Bag Toss is a game similar to horseshoes, played with bean bags and target boards. The true history of the game is mostly unknown although many stories abound. One tells that the game was first played during the 14th century in Germany, and another says it was discovered in Champaign, Illinois and then rediscovered in Kentucky within the last century. Some even credit the invention to western Cincinnati! Regardless of how it began, what is clear is that the popularity of the game began to increase in the late 1990's in Cincinnati area universities, specifically at Miami University where this fun game became a mainstay at parties. Tailgaters brought the game to National Football League games where fans saw the game and became interested. The rest is bean bag toss history. It spread throughout the United States, especially on college campuses, like wildfire.

Object of Game

Players take turns throwing bean bags at a target board with three holes. Each hole scores a different amount of points. The winner is the first player who scores game point!

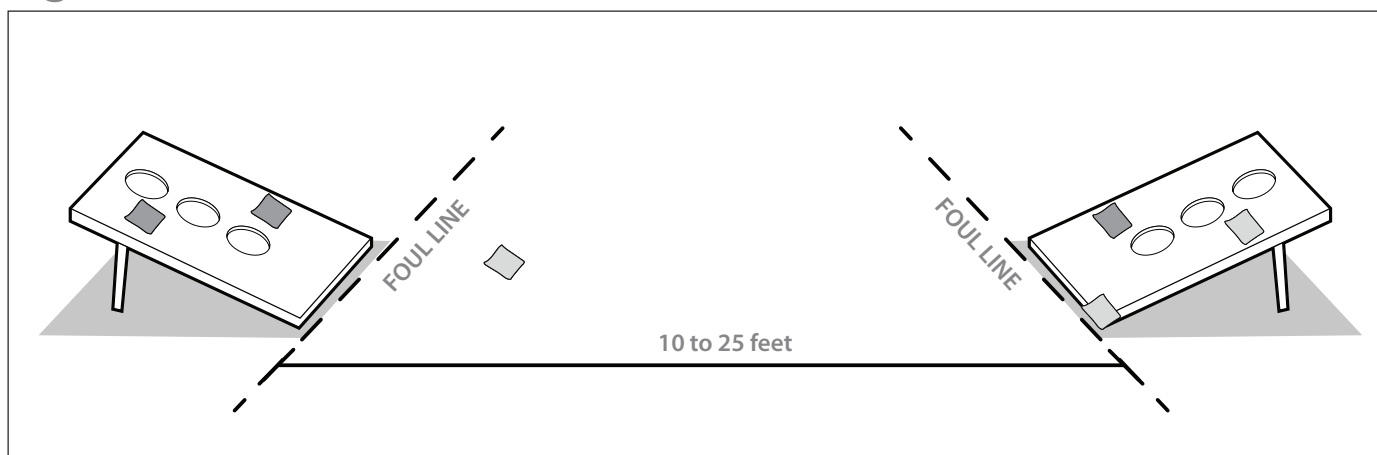
1. Get Ready!

- Before you begin, recruit one person (i.e., singles) or three people (i.e., two teams) to play with you.
- Select a level playing area where your play will not impact other nearby activities. Consider safety first for all throwing games!
- Stretch to wake up your muscles!

2. Get Set!

- Place the two target boards a convenient distance apart; 10 to 25 feet works well for most game play. See Figure A.
- Pick teams, if playing with four people.
- Toss a coin to determine which player or team throws first.
- Assign a bean bag color to each player or team.
- Try a few warm up shots.

Figure A:



3. Go! Play

- Basic scoring rules:
 - o Keep score verbally during play for everyone to hear.
 - o Invisible foul lines exist one step from the edge of each target box. Players may not cross this line when throwing. If they do, the player loses that turn and any point from that throw will not count.
 - o Opposing player points in the same holes do not cancel one another. All bags thrown into holes count for the number of points that corresponds with each hole.
 - o Bags hanging into a hole that rest on the target board do not count for points.
 - o Bean bags missing the target board altogether, or landing on the board receive no points.
 - o Select the game point. Suggestions include 15, 21 or 40.
 - o The first player or team to reach game point wins the game.
 - o Let's get tossing!
- Game play:
 - o Winner of the coin toss throws first.
 - o Aim at the holes in the far target board. One player throws at a time, then the other. Players alternate turns, throwing their bean bags at the target boards until all the bean bags have been tossed.
 - o In singles play, once all the bean bags have been thrown, the two opponents walk to the target board and tally any points that were made. Once scoring for that round is decided, both players will continue playing towards the other target board, repeating this process until one player wins the game.
 - o In team play, players from both teams take turns throwing their bean bags to the opposite target board where their teammates are waiting. When these throws are complete, the other two players count the score. When this first round is scored, play begins in the opposite direction. The first two players who initially threw will now watch game play, and score the incoming bean bags.
 - o Play continues back and forth until one side scores game point. If scores are tied at game point, play one more round. Winner of the next round, wins the game.

Game Variations

Easier Game

Shorten the distance between the two target boards. This makes playing with inexperienced, special needs, or young players easier. Everyone can enjoy this fun game!

Game Trivia

Do you know these bean bag toss terms?

- Airmail - When a bean bag lands directly in the hole without making any contact with other areas of the board.
- Slider - A bean bag that slides into the hole.
- Hanger - A bean bag on the lip of the hole that is ready to drop.
- Honors - The team who tosses first, resulting from the team scoring last.
- Jumper - A bean bag that strikes another bag on the board causing it to jump up into the hole.





Bean Bag Toss Warranty Card

Your details:

Name _____

Address _____



_____ E mail _____

Date of purchase* _____

* We recommend you keep the receipt with warranty card

Location of purchase _____

Description of malfunction:

Return your completed warranty card to:

EastPoint® Sports LTD., LLC
628 route 10, Suite #5,
Whippany, NJ 07981,
USA

E-mail:
consumerservice@eastpointssports.com

AFTER SALES SUPPORT



USA 973-585-4747



consumerservice@eastpointssports.com

MODEL: I6299 PRODUCT CODE: 41567 08/2014

2

YEAR
WARRANTY





SPORTS

